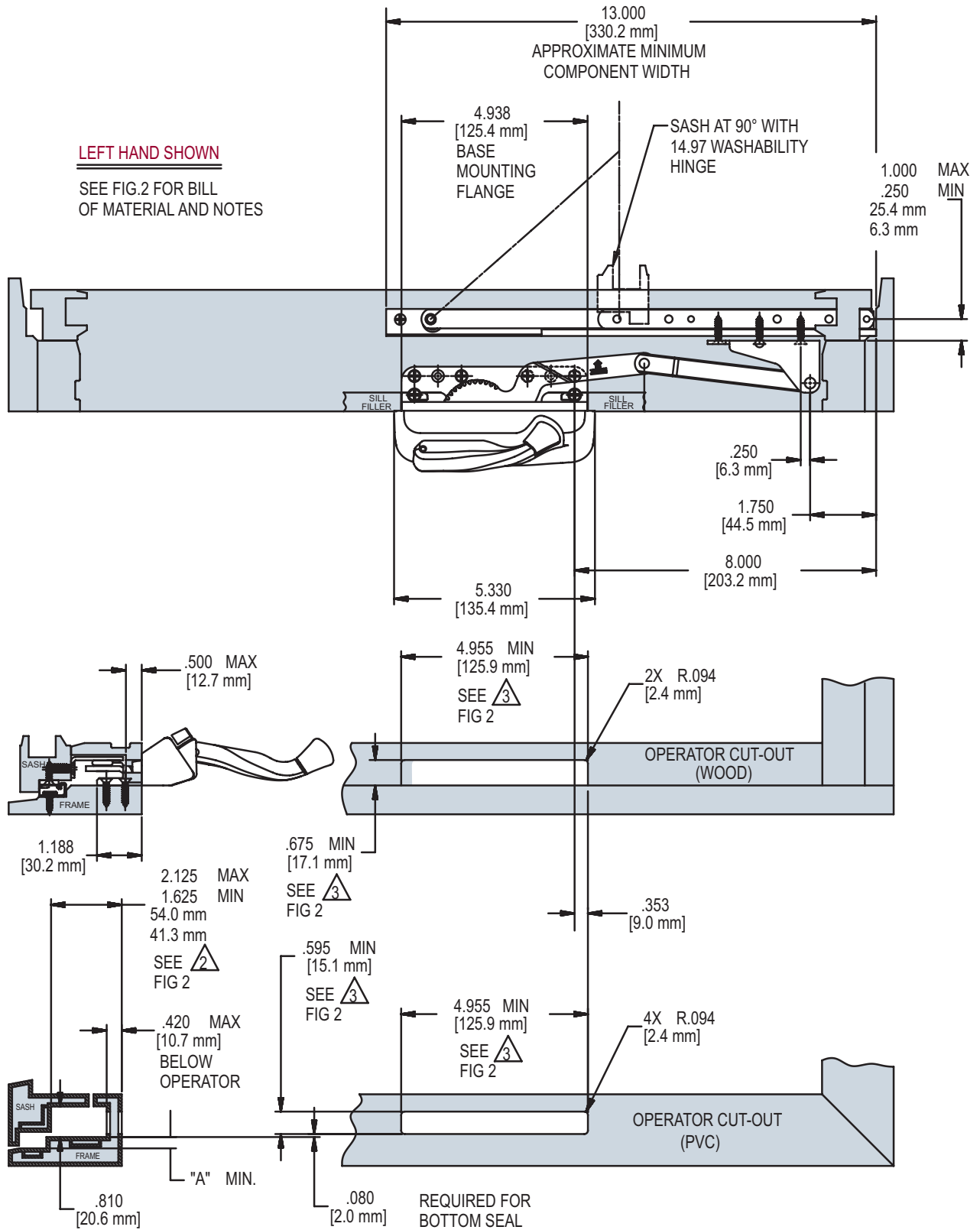
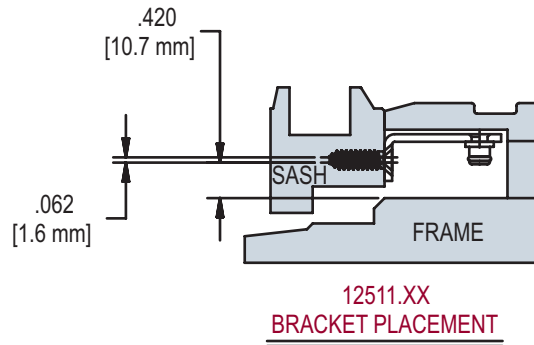


**FIG. 1 APPLICATION OF ENCORE DYAD OPERATOR  
(SILL MOUNT VERSION)**



# ENCORE™ DYAD OPERATOR (SILL MOUNT)

FIG. 2 APPLICATION OF ENCORE DYAD OPERATOR CONTINUED (SILL MOUNT VERSION)



HARDWARE SHOWN FOR LEFT HAND WINDOW, SEE FIG. 1	
PART NUMBER	DESCRIPTION
50.60.00.011	DYAD OPERATOR
12511.XX	STUD BRACKET
14.97.00.XXX	WASHABILITY HINGE
12616.XX	TANGO HANDLE/COVER PACK
32658	GASKET (PVC)

HINGE	"A"
14.97.00.XXX	.300 [7.6 mm]
14.12.00.XXX	
OTHER 14 SERIES CASEMENT HINGE	.250 [6.4 mm]

NOTES:

1. STUD BRACKET 12510.XX AND 12511.XX REQUIRES THE SAME MOUNTING LOCATION FOR BOTH THE ENCORE DUAL ARM OPERATOR AND THE ENCORE DYAD OPERATOR.

2. STUD BRACKET 12510.XX AND 12511.XX MAY NOT FIT IF 2.125/1.625 DIMENSION (SEE FIG. 1) IS LESS THAN 1.875. CONTACT TRUTH FOR RECOMMENDATIONS.

3. HOLD THIS DIMENSION AS CLOSE TO THE MINIMUM AS MANUFACTURING TOLERANCES ALLOW. A CLOSE FITTING CUT-OUT HELPS TO STABILIZE THE OPERATOR AGAINST ROCKING.

4. GASKET 32658 IS REQUIRED ON PVC AND METAL PROFILES FOR AN IMPROVED AIR AND WATER SEAL

5. HANDLE/COVER IS OPPOSITE HAND ON ENCORE DYAD OPERATORS. EXAMPLE: LH ENCORE DYAD OPERATORS REQUIRE RH HANDLE/COVER

**FIG. 3 ENCORE DYAD OPERATOR  
(SILL MOUNT VERSION)**

STAINLESS STEEL VERSION AVAILABLE

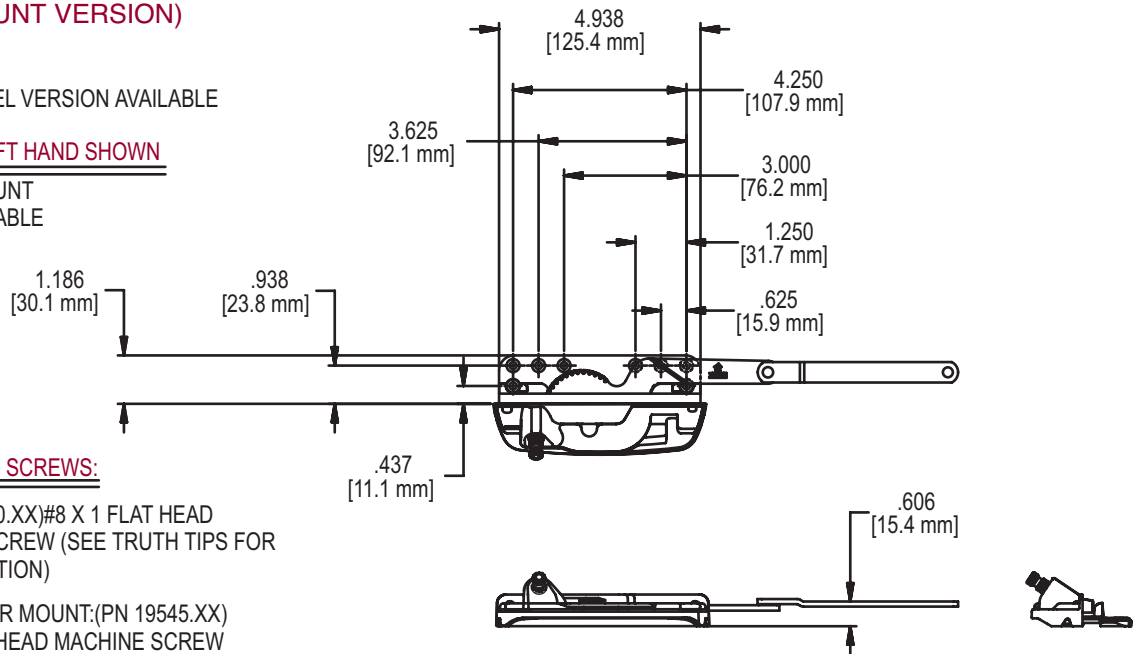
50.60.XX.011 LEFT HAND SHOWN

50.62 REAR MOUNT  
VERSION AVAILABLE

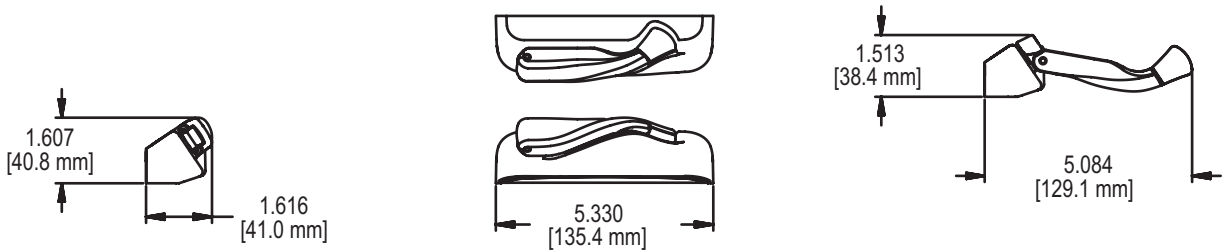
RECOMMENDED SCREWS:

(QTY 6)(PN 19240.XX)#8 X 1 FLAT HEAD  
SHEET METAL SCREW (SEE TRUTH TIPS FOR  
MORE INFORMATION)

(QTY 2)FOR REAR MOUNT:(PN 19545.XX)  
#8-32 X 3/8 PAN HEAD MACHINE SCREW

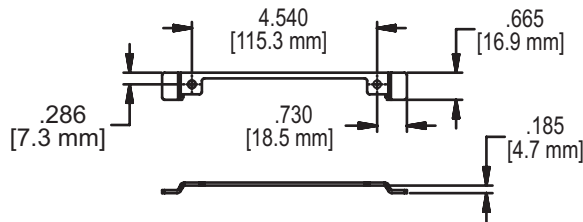


**FIG. 4 ENCORE TANGO HANDLE/COVER 12616.XX(RH) (SHOWN) 12614.XX(LH)**



**FIG. 5 BACK PLATE 21969.92**

FOR USE WITH  
50.62 REAR MOUNT  
VERSION ONLY



**FIG. 6 STUD BRACKET 12510.XX(LH) (SHOWN) 12511.XX(RH)**

STAINLESS STEEL VERSION AVAILABLE

HAND OF BRACKET DOES NOT NECESSARILY  
MATCH HAND OF OPERATOR

RECOMMENDED SCREWS:

(QTY 3)(PN 19240.XX)#8 X 1 FLAT  
HEAD SHEET METAL SCREW (SEE TRUTH  
TIPS FOR MORE INFORMATION)

