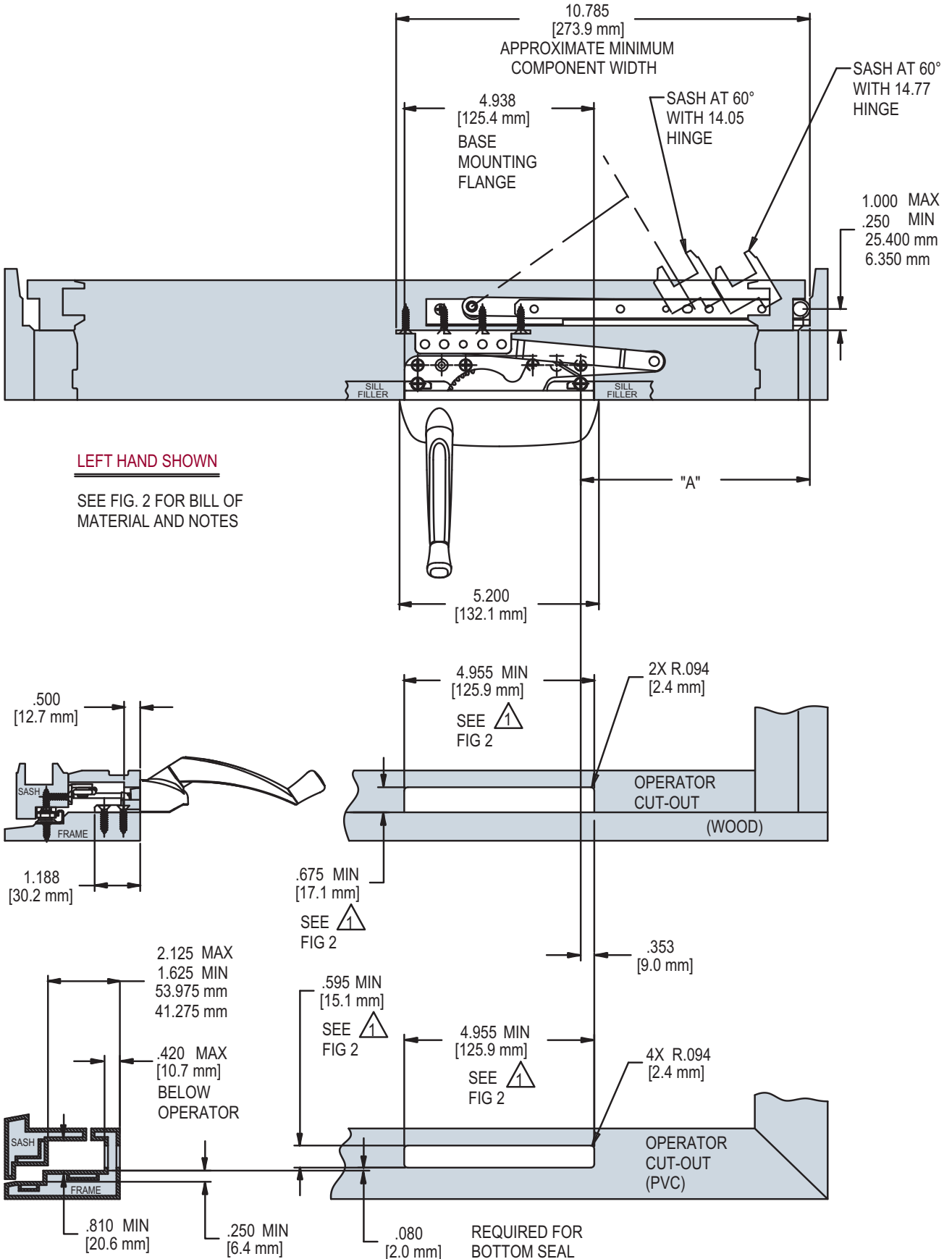
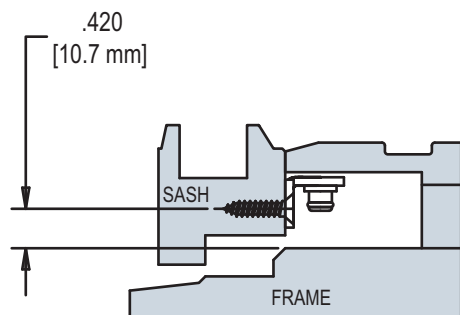


FIG. 1 APPLICATION OF MAXIM REVERSE DYAD OPERATOR (SILL MOUNT VERSION)

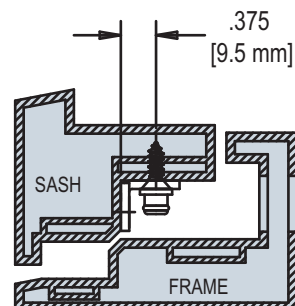


MAXIM® REVERSE DYAD OPERATORS (SILL MOUNT)

FIG. 2 APPLICATION OF MAXIM REVERSE DYAD OPERATOR (CONTINUED)
(SILL MOUNT VERSION)



11674.XX
BRACKET PLACEMENT



11674.XX
BRACKET PLACEMENT

HARDWARE SHOWN FOR LEFT HAND WINDOW, SEE FIG.1	
PART NUMBER	DESCRIPTION
50.70.XX.XXX	REVERSE DYAD OPERATOR
11674.XX	STUD BRACKET
14.05.00.XXX	HINGE
11454.XX	CONTOUR HANDLE
31882	GASKET (PVC)

HINGE	"A"
14.05.00.XXX	5.973 [151.7 mm]
14.77.00.XXX	5.532 [140.5 mm]

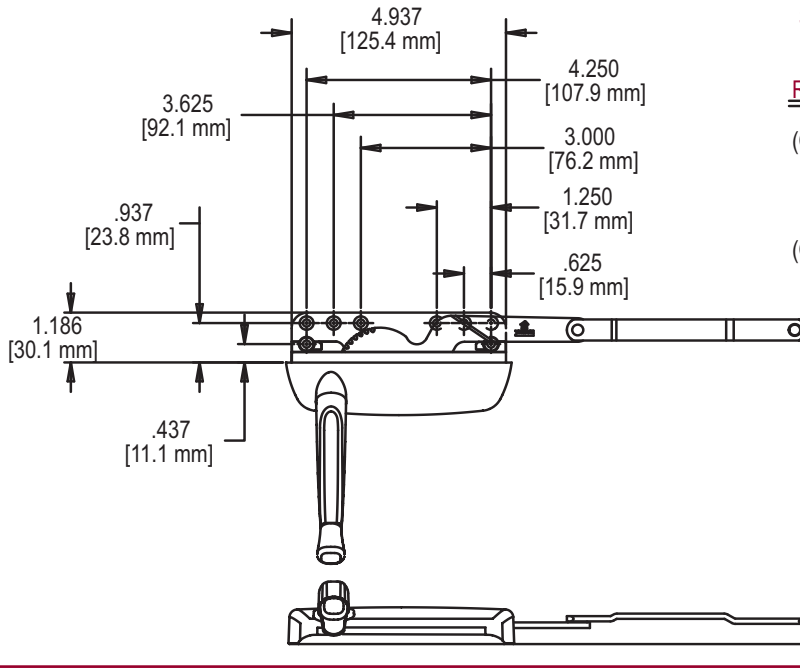
NOTES:

1. HOLD THIS DIMENSION AS CLOSE TO THE MINIMUM AS MANUFACTURING TOLERANCES ALLOW. A CLOSE FITTING CUT-OUT HELPS TO STABILIZE THE OPERATOR AGAINST ROCKING

2. GASKET 32658 IS REQUIRED ON PVC AND METAL PROFILES FOR AN IMPROVED AIR AND WATER SEAL

3. HANDLE/COVER PACK IS OPPOSITE HAND ON ENCORE DYAD OPERATOR. EXAMPLE: LH ENCORE REVERSE DYAD OPERATOR REQUIRES A RH HANDLE/COVER

FIG. 3 STANDARD MAXIM REVERSE DYAD OPERATOR (SILL MOUNT VERSION)



STAINLESS STEEL VERSION AVAILABLE

RECOMMENDED SCREWS:

(QTY 6)(PN 19240.XX)#8 X 1 FLAT HEAD SHEET METAL SCREW (SEE TRUTH TIPS FOR MORE INFORMATION)

(QTY 2)REAR MOUNT:8-32 X 3/8 PAN HEAD MACHINE SCREW PN 19545.XX

50.70.XX.011 LEFT HAND SHOWN

50.72 REAR MOUNT VERSION AVAILABLE

FIG. 4 MAXIM COVER 41211.XX/HANDLE 11329.XX (LH) (SHOWN)

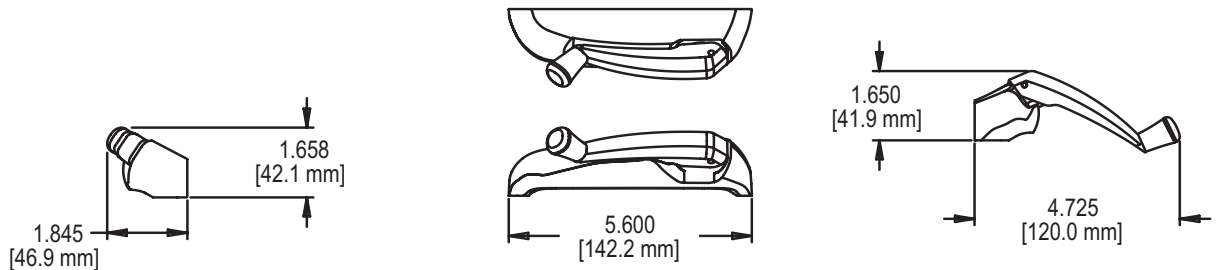


FIG. 5 BACK PLATE 23058.92

FOR USE WITH 50.72 REAR MOUNT VERSION ONLY

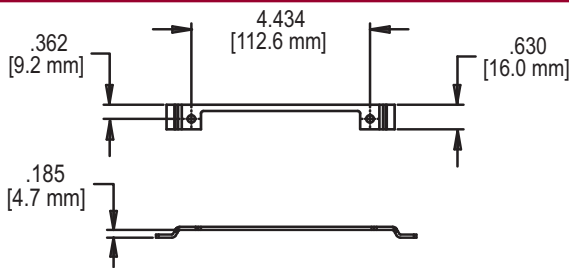


FIG. 6 STUD BRACKET 11674.XX (NON-HANDED)

STAINLESS STEEL VERSION AVAILABLE

RECOMMENDED SCREWS:

(QTY 4)(PN 19240.XX)#8 X 1 FLAT HEAD SHEET METAL SCREW (SEE TRUTH TIPS FOR MORE INFORMATION)

