



There are numerous accessories that have been designed to help provide the optimum results in both installation and function. The items listed here, such as the #31882 Gasket and #31883

Applicator are two such items. In instances where an additional level of sealing is necessary the Maxim Gaskets will help you achieve this.

ORDERING INFORMATION

1. Please refer to the following drawings for specific information regarding the item numbers to order.

FIG. 1 APPLICATION OF MAXIM OPERATOR GASKET

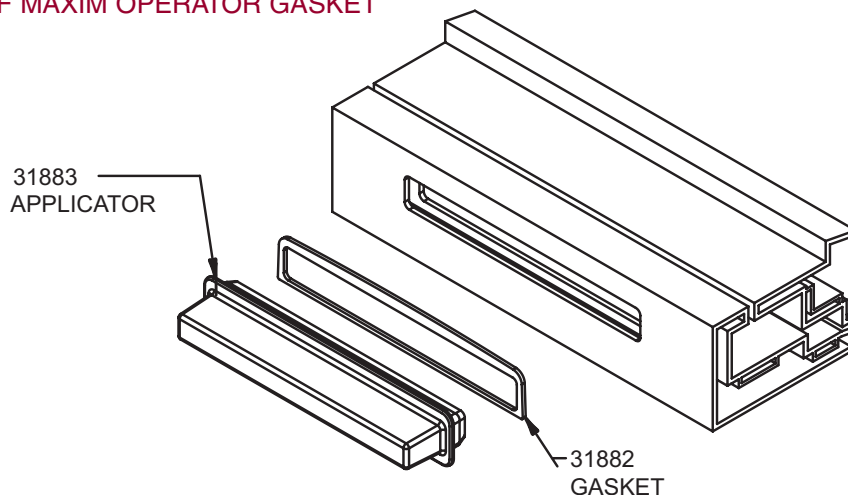


FIG. 2 MAXIM OPERATOR GASKET 31882

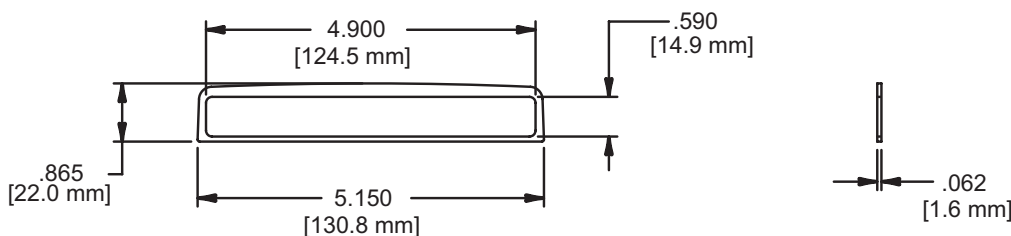


FIG. 3 MAXIM OPERATOR GASKET APPLICATOR 31883

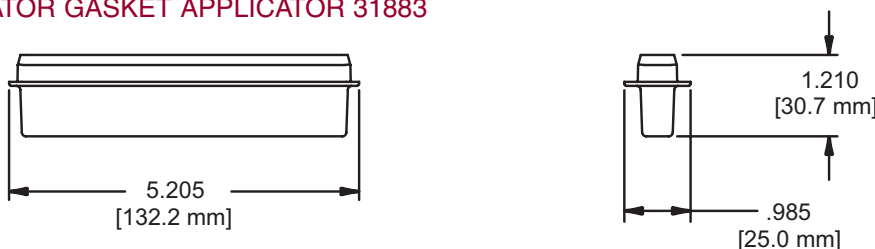
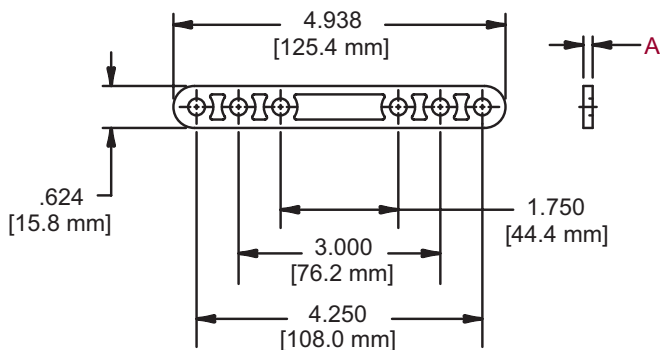


FIG. 4 MAXIM OPERATOR SHIMS



SHIM	"A"
21544	.048 [1.2 mm]
21545	.096 [2.4 mm]
21546	.138 [3.5 mm]
21547	.189 [4.8 mm]
21548	.205 [5.2 mm]

FIG. 5 APPLICATION OF MAXIM FOLDING HANDLE COVER

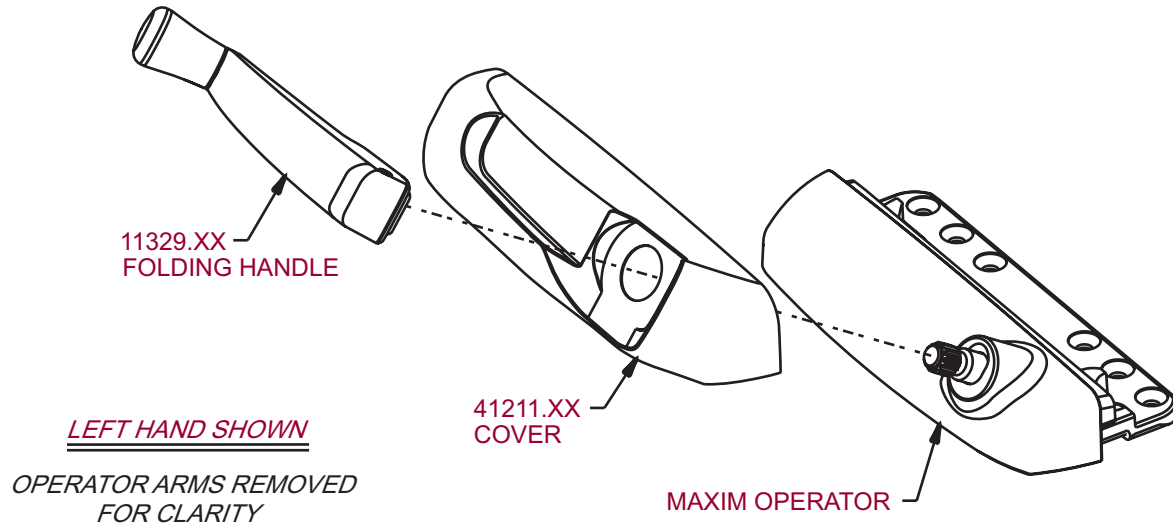
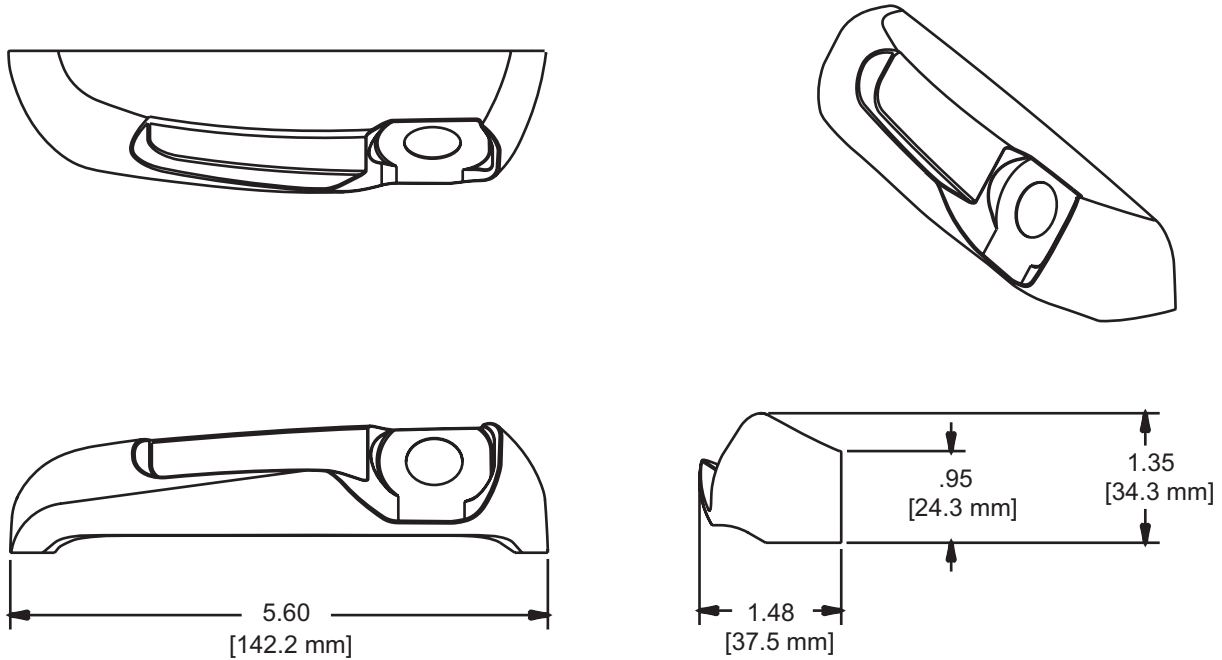


FIG. 6 MAXIM FOLDING HANDLE COVER 41211.XX (LH) (SHOWN) 41212.XX (RH)



NOTES:

1. FURNISHED WITH DOUBLE SIDED TAPE PRE-APPLIED TO COVER FOR ATTACHING COVER TO MAXIM OPERATOR.